

Flexy Compact
Cashier unit with one stainless steel
tubular tray slider on customer side,
H=900mm

ITEM # _____

MODEL # _____

NAME # _____

SIS # _____

AIA # _____


322111 (F30N0AF00W)

Cashier unit with one stainless steel tubular tray slider on customer side, H=900mm

Short Form Specification

Item No. _____

Compact design, ideal for space saving environments. Stainless steel tubular tray slider on customer side. Unit mounted on 150 mm high feet. Sturdy body construction with laminated panelings on 4 sides. 900mm worktop height. Unit has protective panelling and is designed to accommodate a cash-register with enough room for the operator's chair. Supplied as standard with a drawer with a lock and key. Available in left or right configuration.

Main Features

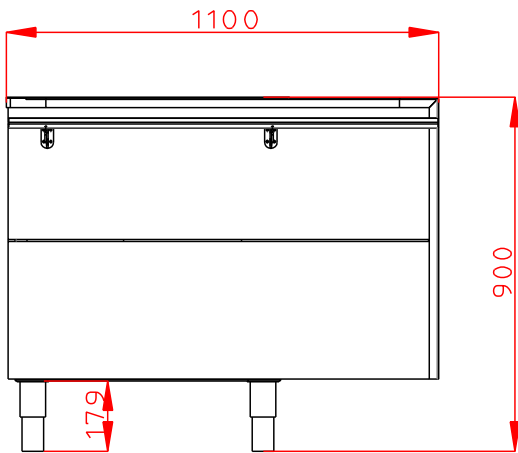
- CB and CE certified by a third party notified body.
- Tray slider in tubular stainless steel is installed on the customer side and it can also be folded down to facilitate passage of the units through doorways.
- Ideal for servery lines with an operator.
- Unit mounted on 150 mm high feet.
- Available options with online configurator: colors, tray sliders, overshelves, feet/wheels with desired diameter, height 750mm for kids.
- Optional plinth can be installed to cover the feet or the wheels.
- Unit has protective panelling and is designed to accommodate a cash-register with enough room for the operator's chair.
- Supplied as standard with a drawer with a lock and key.
- Available in left or right configuration.
- Perfect compact design makes it ideal for space saving environments.
- Food introduced at the correct temperature maintains its core temperature according to Afnor Standards.

Construction

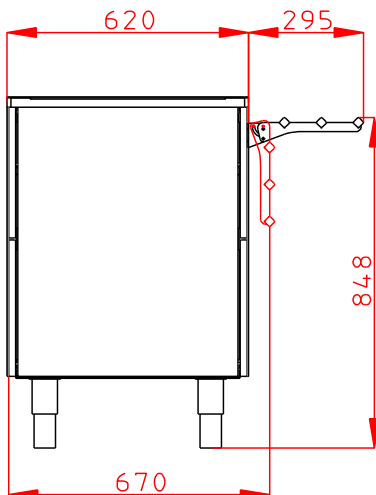
- Top in AISI 304.
- Sturdy construction with laminated panelings on 4 sides.

APPROVAL: _____

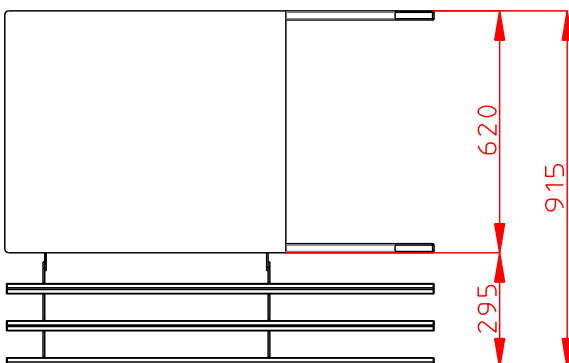
Front



Side



Top


Key Information:

N° of doors:	
External dimensions, Width:	1100 mm
External dimensions, Depth:	915 mm
External dimensions, Height:	900 mm
Net weight:	66 kg
Shipping height:	930 mm
Shipping width:	710 mm
Shipping depth:	1120 mm
Height adjustment:	-20/40 mm